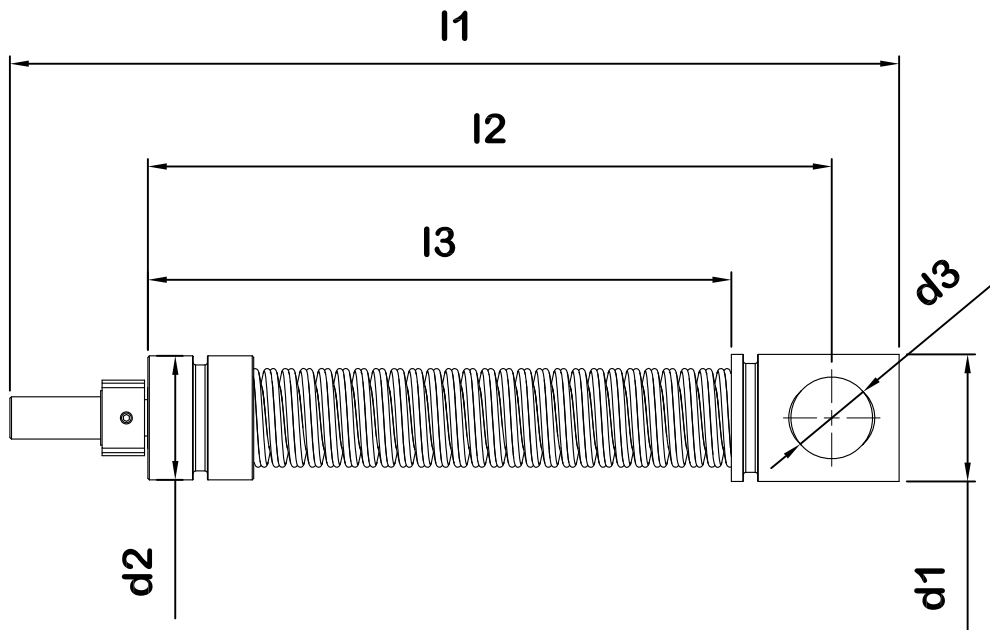




Inquiry-No. (需求编号)	Customer (客户名称)	City (所在城市)	MC-type (机器形式)	Spindle-type /Clamping (主轴/夹爪形式)
Incoming Date of Inquiry (访查日期)	Sales Company (销售公司)	Sales (销售人员)	Yield (产量)	Yield (产量)



Application:

T° = _____ °C **l1** = _____ mm **d1** = _____ mm
n = _____ rpm **l2** = _____ mm **d2** = _____ mm
F1 = _____ N **l3** = _____ mm **d3** = _____ mm

DIN 7168(mm) 6 ±0.05 6~30 ±0.07 30~120 ±0.1 120~400 ±0.2 400~1000 ±0.3				CONTACT	http://www.sefko.biz		
	DWN. REC. APP.			TITLE	High speed drawbar for milling machine		
				DWG NO.	FR-000011	REV	1
		Amber					

